

## Swing H1-05

Catalogue No.: H1-05



**3-15**

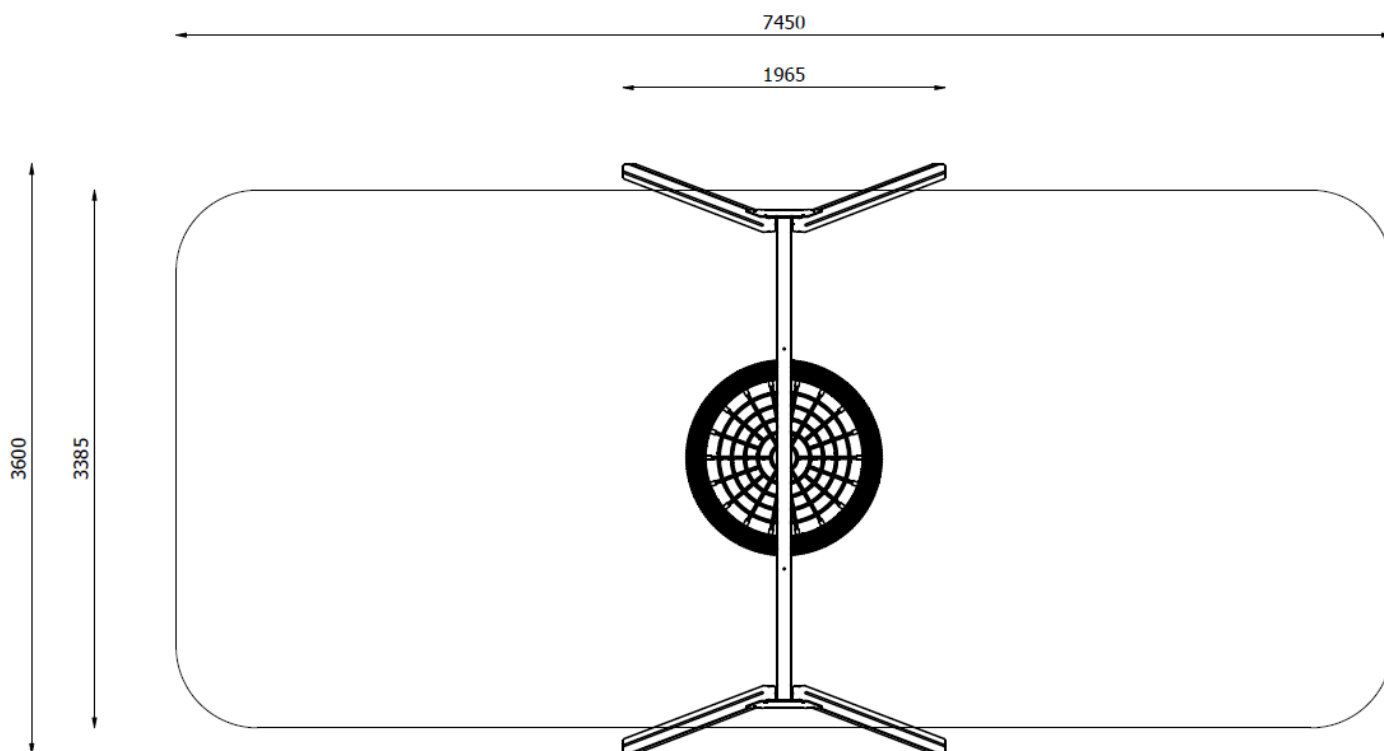


**4**



Dimensions	3,39 m x 1,97 m x 2,36 m
Safety zone	3,60 m x 7,45 m
Height of free fall	1,30 m
Number of users	4
Age	3-15 years
Material	<ul style="list-style-type: none"> <li>- steel or glued laminated timber beams</li> <li>- top beam made from steel</li> <li>- galvanised carbon or stainless steel fasteners</li> <li>- stainless steel chains</li> <li>- polypropylene ropes with steel core</li> <li>- soft rubber seats with metal core</li> <li>- galvanised carbon steel anchors (for wooden structures)</li> </ul>

## Safety zone



## Description

The construction made from bonded laminated wood with dimensions of 90x90 mm, impregnated with a vacuum-pressure method or carbon steel with corrosion protection by galvanizing and powder coating or from stainless steel. The upper beam profile 90x90 mm from carbon steel with corrosion protection by galvanizing and double powder coating. The chain from stainless steel, calibrated, rendering finger seizing impossible. The swing slings from galvanized carbon steel or stainless steel. The crow's nest seats made from steel ropes coated with polypropylene.

## Way of seating

The device structure mounted on carbon steel, galvanized anchors. The anchors sunk in concrete directly in the ground.

*The manufacturer indicates that the real appearance of the above presented device may differ from visualization. All the construction or colouring changes are related to continuous process of device quality and aesthetics improvement.*

