

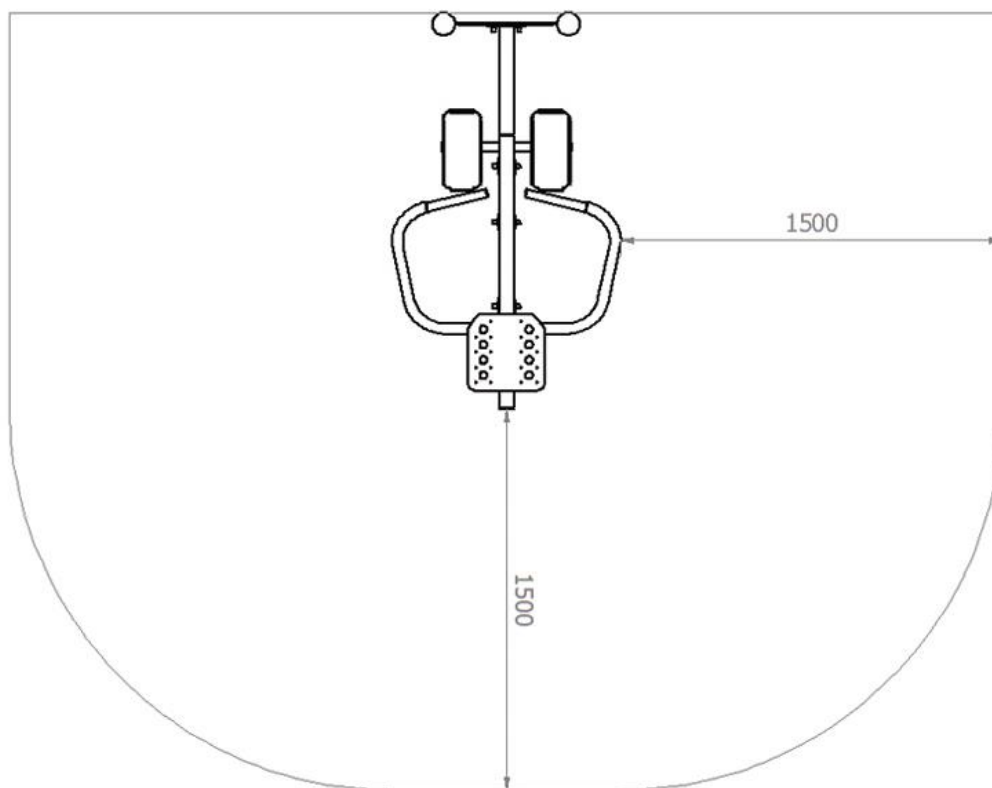
FITNESS F1-78

Catalogue No.: F1-78



| | |
|-----------------|--|
| Dimensions | 0,86 m x 1,50 m x 0,77 m |
| Safe zone | 3,86 m x 3,00 m |
| Number of users | 1 |
| Materials | <ul style="list-style-type: none">- carbon or stainless steel tubes- galvanised carbon or stainless steel fasteners- polyamide end caps- antislip steps |
| Maximum weight | 150 kg |
| Minimum height | 140 cm |

Safe zone



Description

The machine favourable for general development of our body. It improves the general stamina of the body, movability of the lower limbs and balances as well as coordinates functioning of the entire body. The construction of the device and the fastening elements made of stainless steel or of carbon steel with corrosion protection by galvanizing and powder coating. The fastening elements protected with coloured plastic covers. Absence of sharp edges or gaps, which could cause seizing of: fingers, head and other body parts.

Way of seating

The structure of the device is mounted to a pole or pylon anchored directly in the ground.

The manufacturer indicates that the real appearance of the above presented device may differ from visualization. All the construction or colouring changes are related to continuous process of device quality and aesthetics improvement.