

## Carousel K3-01

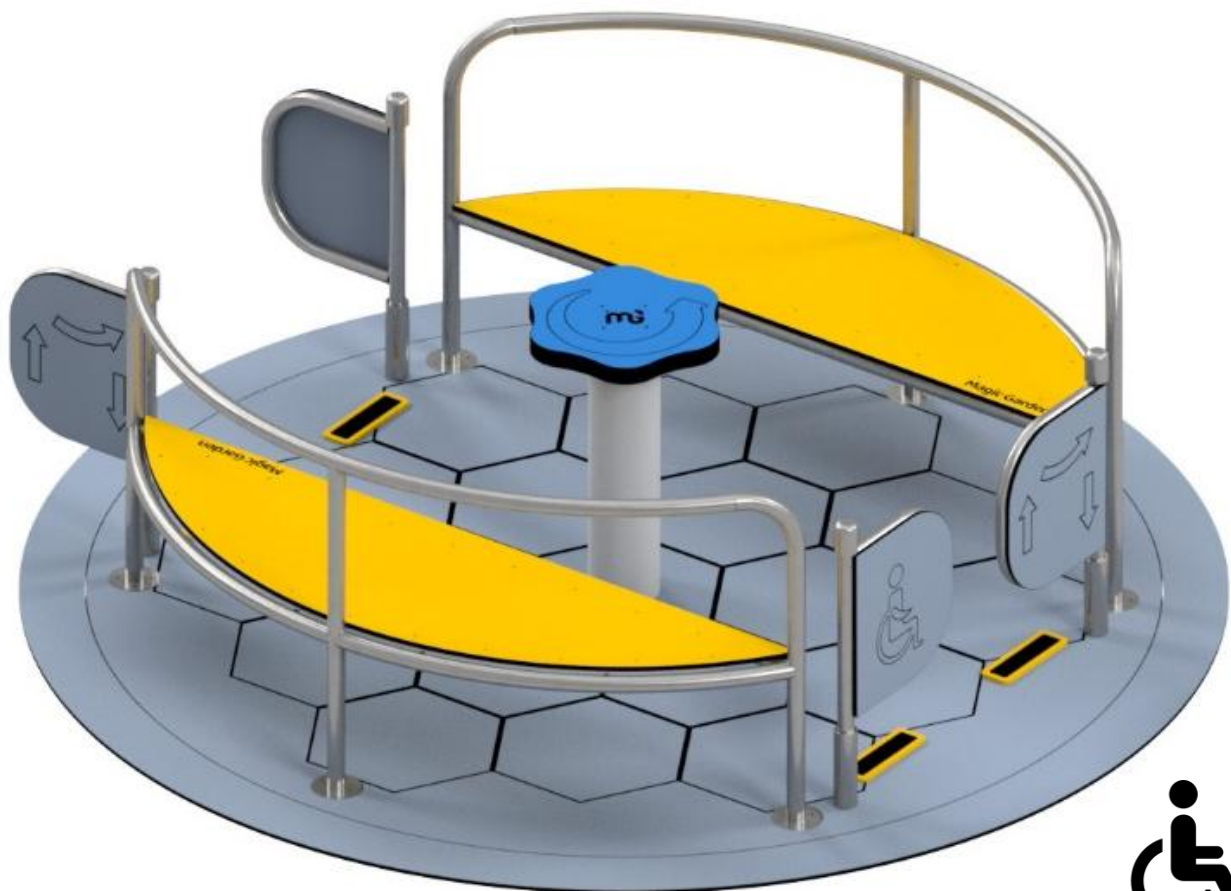
Catalogue No.: K3-01



3-15

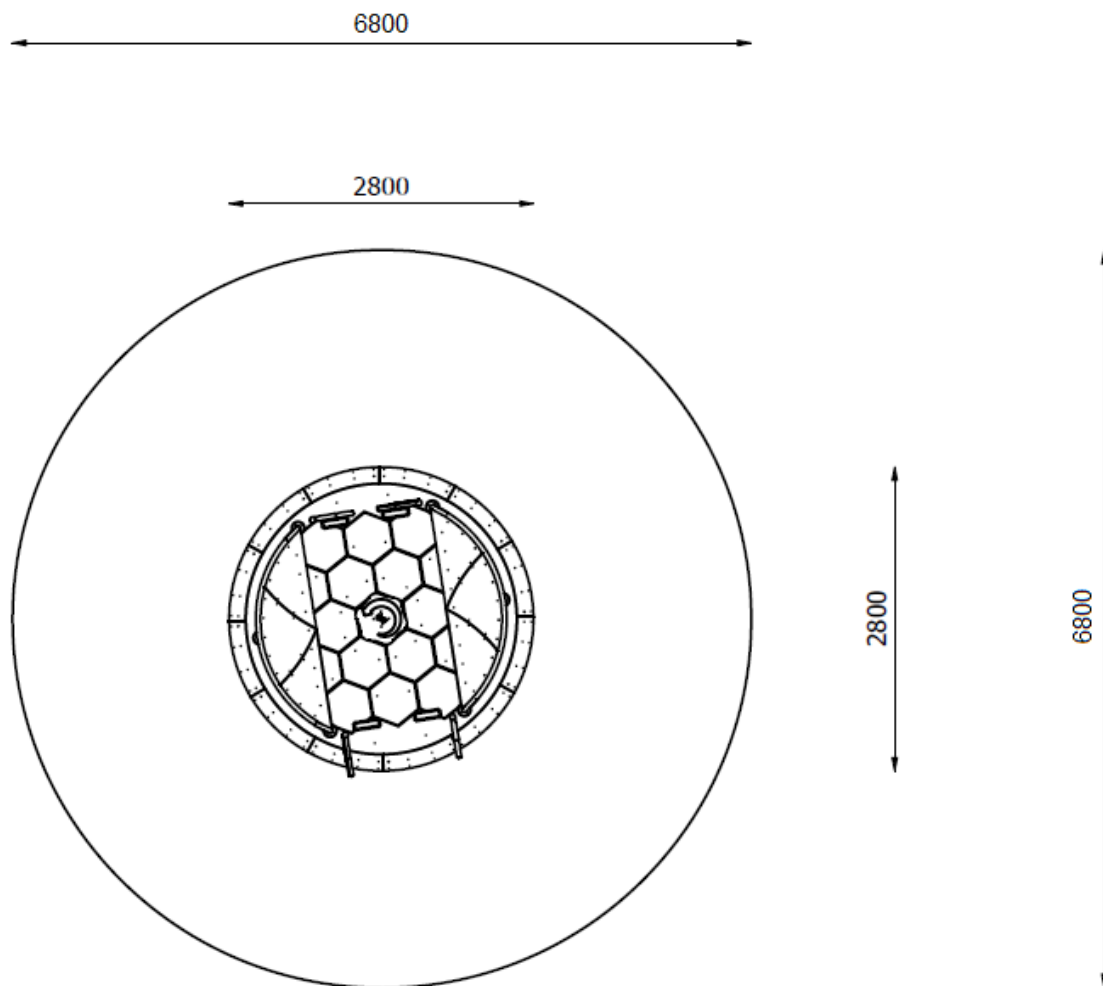


12



Dimensions	Ø 2,80 m h = 0,91 m
Safety zone	Ø 6,80 m
Height of free fall	0,91 m
Number of users	12
Age	3-15 years
Material	<ul style="list-style-type: none"> <li>- carbon or stainless steel tubes</li> <li>- HDPE or HPL</li> <li>- galvanised carbon or stainless steel fasteners</li> </ul>

## Safety zone



## Description

The construction made from carbon steel with corrosion protection by galvanizing and powder coating or from stainless steel. The rotary element supported on construction assembled from two bearings. The platform, seats and forms made of HDPE or HPL panel. Fasteners galvanized or from stainless steel.

## Way of seating

The device construction anchored directly in the ground.

*The manufacturer indicates that the real appearance of the above presented device may differ from visualization. All the construction or colouring changes are related to continuous process of device quality and aesthetics improvement.*