

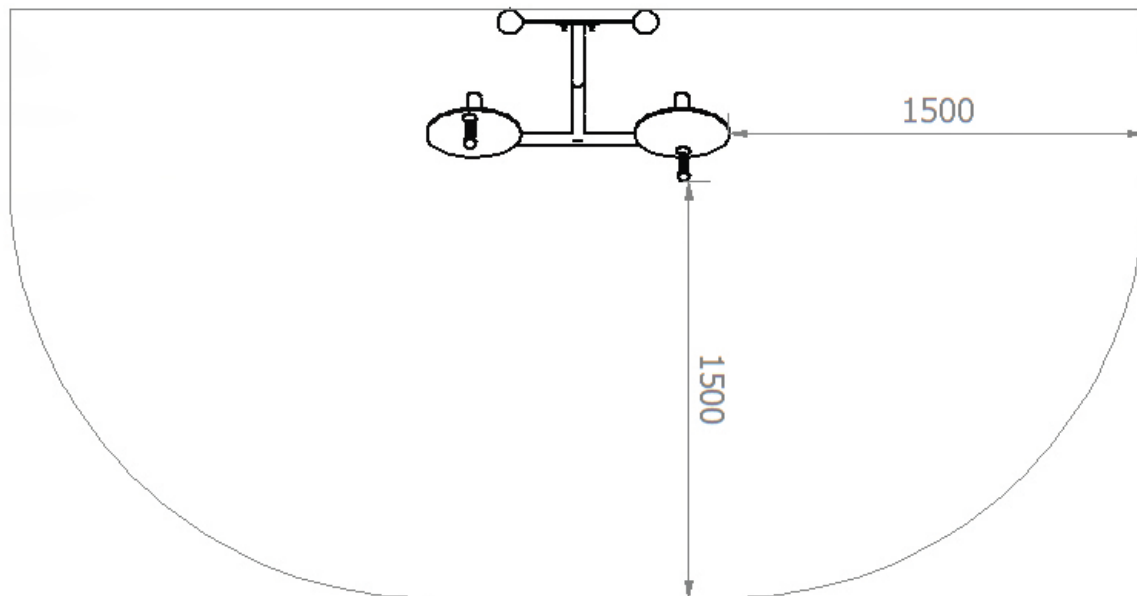
FITNESS F1-88

Catalogue No.: F1-88



Dimensions	1,09 m x 0,55 m x 0,72 m
Safe zone	4,09 m x 2,05 m
Number of users	1
Materials	<ul style="list-style-type: none">- carbon or stainless steel tubes- galvanised carbon or stainless steel fasteners- HDPE or HPL- polyamide end caps
Maximum weight	150 kg
Minimum height	140 cm

Safe zone



Description

A device conducive to the overall development of our body. It strengthens the wrists, elbows, arms, shoulders and waist.

The structure of the device is made of stainless steel or carbon steel, protected against corrosion by galvanizing and powder coating. The wheel is made of HDPE or HPL board. Fasteners galvanized or made of stainless steel, secured with colored plastic caps.

Way of seating

The structure of the device is mounted to a pole or pylon anchored directly in the ground.

The manufacturer indicates that the real appearance of the above presented device may differ from visualization. All the construction or colouring changes are related to continuous process of device quality and aesthetics improvement.