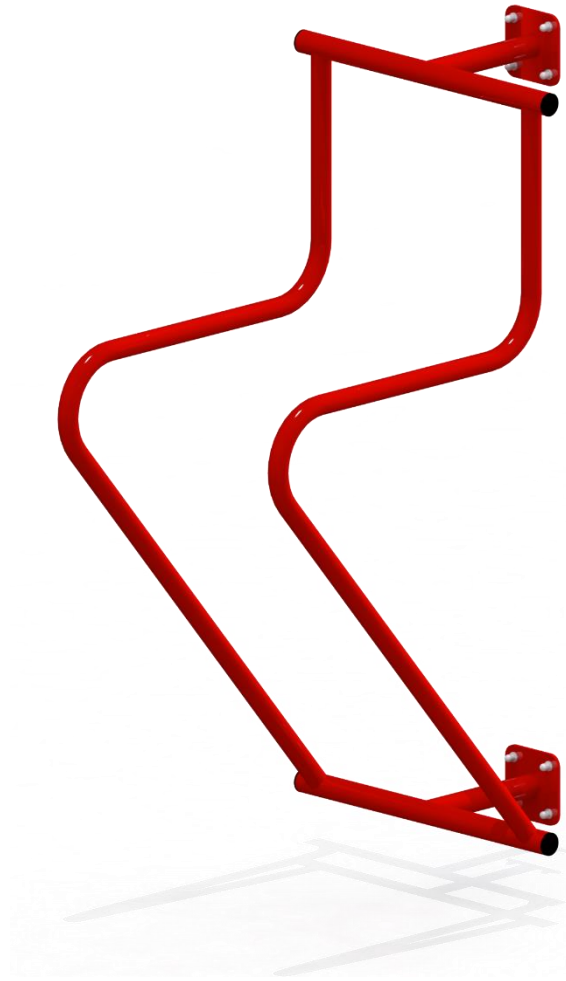


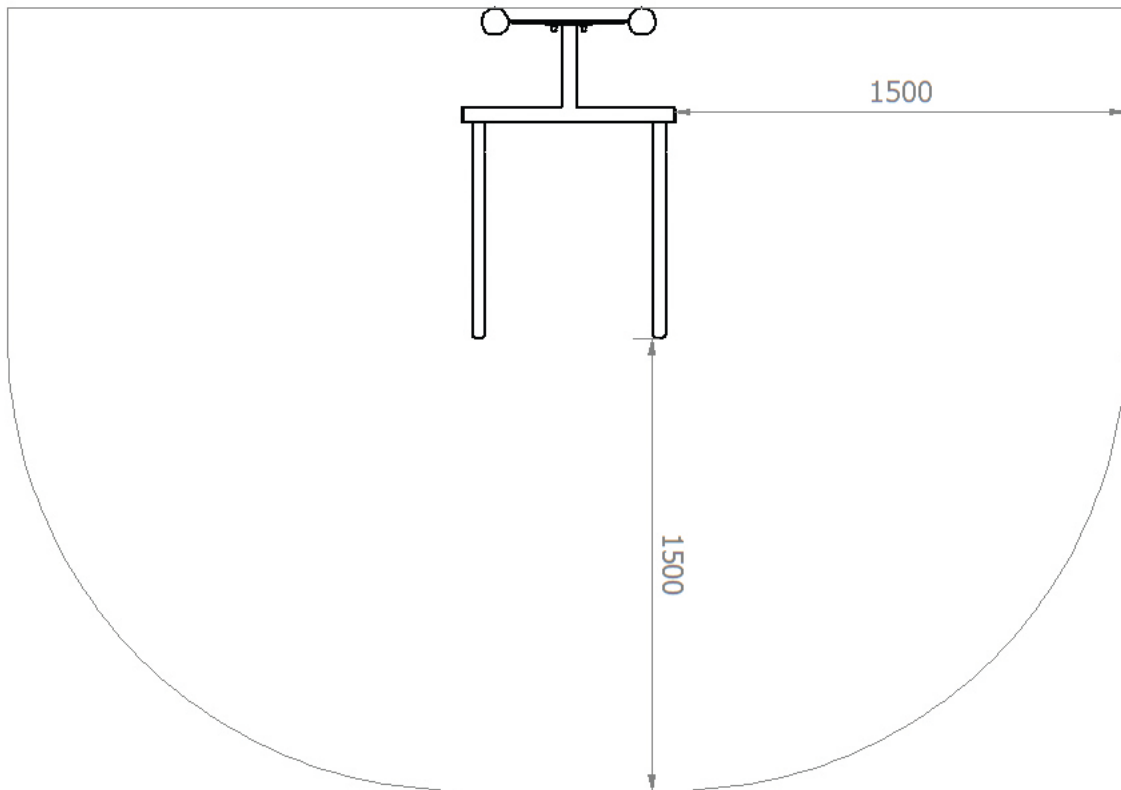
## FITNESS F1-90

Catalogue No.: F1-90



Dimensions	0,70 m x 1,04 m x 1,60 m
Safe zone	3,70 m x 2,54 m
Number of users	1
Materials	- carbon or stainless steel tubes - galvanised carbon or stainless steel fasteners - polyamide end caps
Maximum weight	150 kg
Minimum height	140 cm

## Safe zone



## Description

A device conducive to the overall development of our body. It improves the general condition of the body, the mobility of the upper and lower limbs, and balances and coordinates the work of the whole body.

The structure of the device is made of stainless steel or carbon steel, protected against corrosion by galvanizing and powder coating. Fasteners galvanized or made of stainless steel, secured with colored plastic caps.

## Way of seating

The structure of the device is mounted to a pole or pylon anchored directly in the ground.

*The manufacturer indicates that the real appearance of the above presented device may differ from visualization. All the construction or colouring changes are related to continuous process of device quality and aesthetics improvement.*